

AT-Cut OCOXO

Series **COC20**

Applications

- * Cellular Base Station
- * GSM & CDMA System
- * Test Equipment
- * Frequency Synthesizer
- * Digital Switching

Features

- * High Reliability
- * Low Aging
- * Excellent Phase Noise
- * Mass Production With Good Uniformity
- * AT-Cut
- * ROHS Compliant

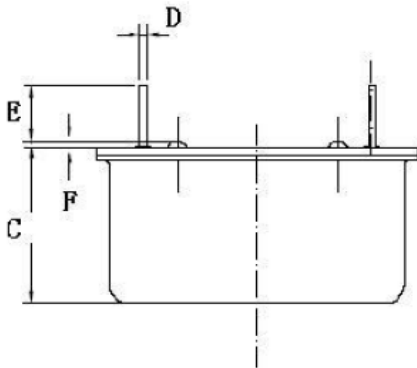
Part Numbering Example: **COC20-A238.88**

COC20 **Z** - **A2** **38.88**
SERIES **ADDED FEATURES** **OPERATING TEMP.** **FREQUENCY**

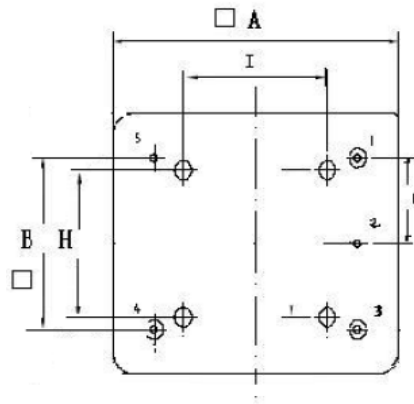
COC20 Blank = Bulk Package A2 = -40° to + 85°C 38.88
 T = Tube MHz
 Z = Tape and Reel



Specifications:	Min	Typ	Max	Unit
Frequency Range:		38.888		MHz
Frequency Tolerance: Vc=+1.25V@25°C			0.5	ppm
Frequency Stability Vs. Temperature:		0.2		ppm
Operating Stability Range:	-30		+ 70	°C
Supply Voltage:	4.75	5	5.25	V
Operating Temperature:	-40		+ 85	°C
Load Stability:		0.05		ppm/CL±5%
Power Supply Stability:		0.05		ppm/+5V±5%
Maximum aging rate after power on 30 days			0.5 3 2	ppm/1yr ppm/10yr ppb/day
Short-Time Frequency Stability:			0.1	ppb/second
Load:		15		pF
Initial Current:			500	mA
Steady State Current			200	mA
Phase Noise:				
1 Hz		-60		dBc
100 MHz		-115		dBc
10 KMHz		-145		dBc
Output Level:	HCMOS Square			
Packaging:	20.5mm X 20.5mm X 10.5mm			



Pin No.	Pin Function
1	Vs
2	Output
3	GND
4	Vc
5	Nc



Symbol	Dimension (mm)	
	Min	Max
A		20.5
B	14.74	15.74
C		10
D	0.4	0.55
E	4.0	
F	0.6	0.8
G	7.52	7.72
H	7.62 nominal	
I	7.62 nominal	

