

Ultra Miniature Surface Mount Crystals

Series **CX45**



- Very low height
- Very low drive level
- Small size excellent for next generation products

Part Numbering Example: **CX45 - Z - A1 B2 C2 100 - 10.0 D18 - 3**

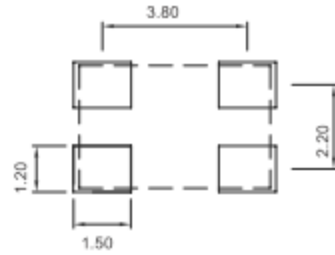
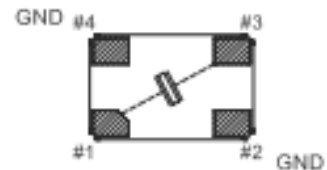
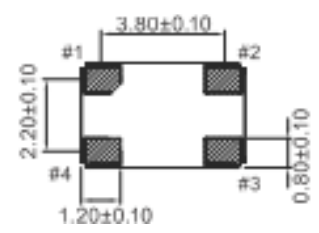
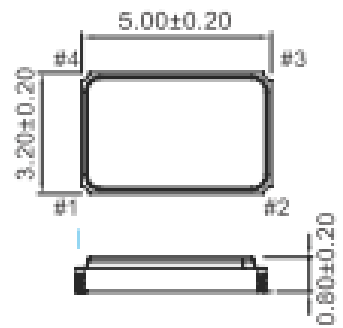
SERIES	ADDED FEATURES	OPERATING TEMP.	STABILITY	TOLERANCE	RESISTANCE	FREQUENCY	LOAD CAP.	OVERTONE
CX45	BLANK = BULK PACK Z = TAPE AND REEL	A0 = -10°C ~ +60°C A1 = -10°C ~ +70°C A2 = -40°C ~ +85°C	B1 = ±100 B2 = ± 50 B3 = ± 30 B4 = ± 10	C1 = ±100 C2 = ± 50 C3 = ± 30 C4 = ± 10	SEE CHART BELOW	100 10.0	D16,18,20,ETC. DS = SERIES	BLANK: FUND. -3: 3rd OT

**NOTE: The above ABC combinations cover basic specification options. We tailor our crystal specifications to meet customer requirements. Please contact our sales department if you don't see exactly what you need.*

Specifications:

Frequency Range:	8.000 ~ 80.000 MHZ
Operating Temperature:	-0°C ~ +60°C <i>Standard</i> -40°C ~ +85°C
Frequency Stability:	±100 ppm AT-Cut ± 50 ppm <i>Standard</i> ± 30 ppm ± 10 ppm
Frequency Tolerance:	± 50 ppm <i>Standard</i> (at 25°C)
Load Capacitance:	Please specify your required load.
Resistance:	See chart below.
Standard:	Shunt Capacitance: 7 pF Max Aging: ± 5 ppm/year Drive Level: 100 µW Max Packaging: Tape and Reel

CX45



Resistance Chart: All resistances are maximum

Frequency Range	MODE	E.S.R
8 MHz ≤ Fo < 11 MHz	A1	<100Ω
11 MHz ≤ Fo < 12 MHz	A1	<65Ω
12 MHz ≤ Fo < 13 MHz	A1	<60Ω
13 MHz ≤ Fo < 16 MHz	A1	<55Ω
16 MHz ≤ Fo < 24 MHz	A1	<50Ω
24 MHz ≤ Fo < 48 MHz	A1	<45Ω
48 MHz ≤ Fo < 53.125 MHz	A1	<40Ω
Fo = 80 MHz	A3	<60Ω

