

Crystal Clock Oscillator

- Gull wings option
- TTL and CMOS compatible
- Tri-state option

Series CTH11

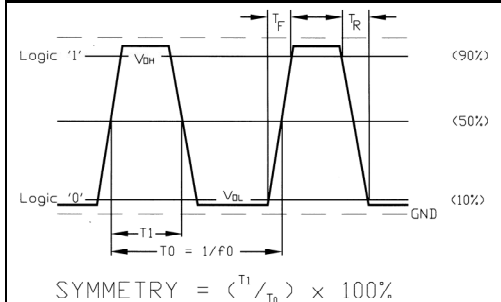
Instrument Part Number: **CTH11 00 4 45 - A2 - 50.0 TS**

CTH11	00	4	L	45	A2	50.0	TS
SERIES	STABILITY	PACKAGE	VOLTAGE	SYMMETRY	OPERATING TEMP	FREQUENCY	TRI-STATE
CTH11	00 = ±100 PPM 50 = ± 50 PPM 25 = ± 25 PPM 10 = ± 10 PPM	1 = Full Size 3 = Full Size, Gull Wing 4 = Half Size 6 = Half Size, Gull Wing	Blank = 5V L = 3.3V	Blank = 40 / 60% 45 = 45 / 55%	Blank = 0°C ~ +70°C A2 = -40°C ~ +85°C	1.000 ~ 100.0 MHz	Blank = No Connection TS = Tristate Pin 1

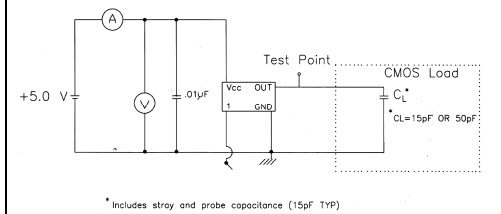
Specifications:

Description	Min	Typ	Max	Unit
Frequency Range:	1.000	-	100.000	MHz
Available Stability Options: (Standard)	-100.0 -50.0 -25.0 -10.0	-	100.0 50.0 25.0 10.0	PPM PPM PPM PPM
Output Format:	TTL/CMOS			
Low Output Voltage: (HCMOS)	-	-	$V_{DD} * 0.1$	V
High Output Voltage: (HCMOS)	$V_{DD} * 0.9$	-	-	V
Output Load:	10 TTL / 15pF CMOS			
Input Voltage:	4.5 2.97	5.0 3.3	5.5 3.63	V V
Input Current: (1.00 ~ 24.999 MHz) (25.0 ~ 49.999 MHz) (50.0 ~ 70.000 MHz)	-	-	20 35 50	mA mA mA
Rise/Fall Time: (1.00 ~ 23.999 MHz) (24.0 ~ 49.999 MHz)	-	-	10 6	ns ns
Startup Time:	-	-	10	ms
Duty Cycle: (Standard)	40 45	-	60 55	% %
Tri-state Disable:	-	-	0.8	V
Tri-state Enable: (@5V) (@3.3V)	3.6 2.2	-	-	V V
Storage Temperature:	-55	-	+125	°C
Operating Temperature: (Standard)	0 -40	-	+70 +85	°C °C

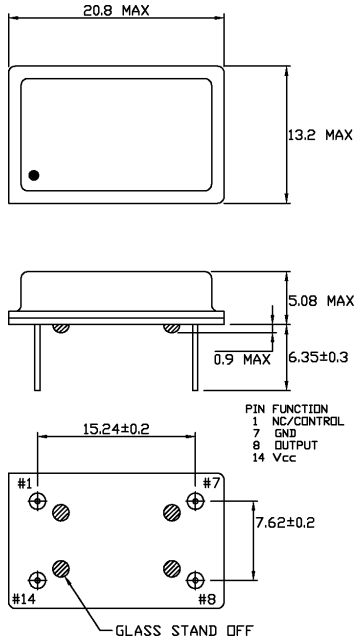
OUTPUT WAVE FORM



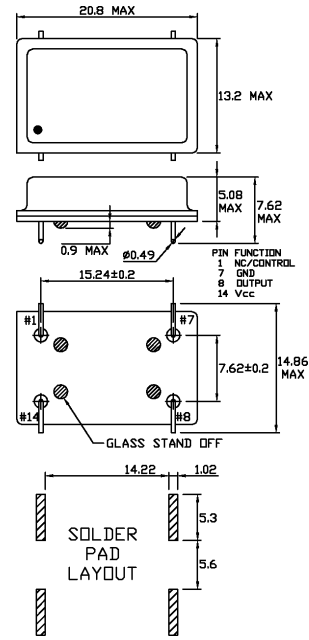
TEST CIRCUIT



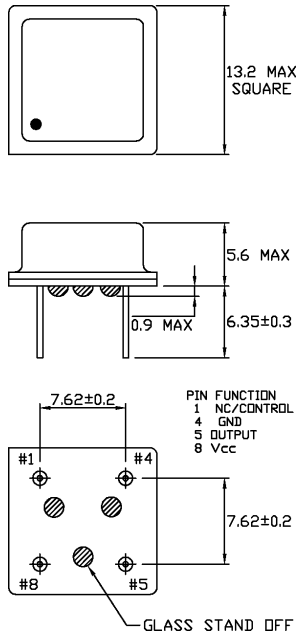
Style 1 Full Size 14 Pin Dip



Style 3 Full Size 14 Pin Dip Gull Wing



Style 4 Half Size 8 Pin Dip



Style 6 Half Size 8 Pin Dip Gull Wing

