

Through Hole Ceramic Resonator
Built-in capacitor

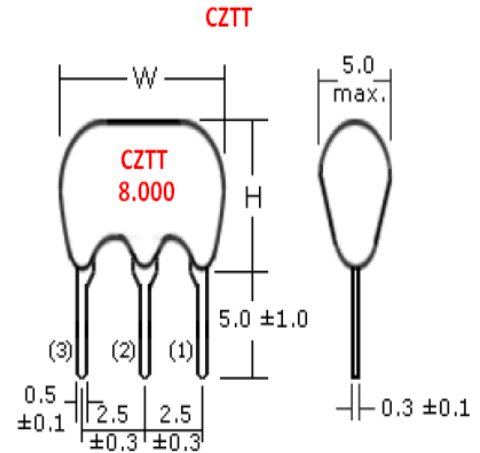
SERIES CZTT

Part Numbering Example: CZTT - AW - 3 - 5 - 8.000000

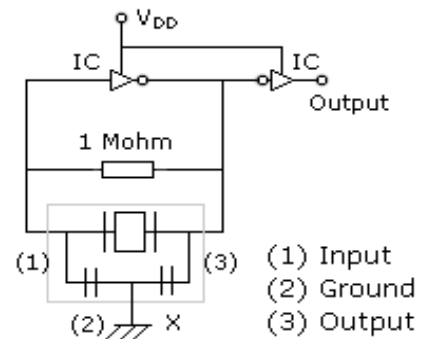
CZTA		AW	5	5	8.000.000
SERIES	ADDED FEATURES	OPERATING TEMP.	STABILITY (PPM)	TOLERANCE (PPM)	FREQUENCY (MHz)
	Blank = Bilk Pac Z = Tape and Reel	A2 = -40 to +85 °C AW = -20 to +85 °C	3 = ± 3.000 5 = ± 5.000	3 = ± 3.000 5 = ± 5.000	

Specifications

Frequency Range	1.8 to 50 MHz
Frequency Stability	± 3.000 PPM (Blue Color) ± 5.000 PPM (Yellow Color)
Frequency Tolerance	± 3.000 PPM (Blue Color) ± 5.000 PPM (Yellow Color)
Operating Temperature Range	-40 to +85 °C -20 to +85 °C
Resonator Resitance	1.8 to 2.99 MHz = 80 Ω 3.0 to 3.49 MHz = 50 Ω 3.5 to 5.99 MHz = 30 Ω 6.0 to 12.99 MHz = 25 Ω 13.0 to 50.0 MHz = 35 Ω
Insulator Resistance Min.	to 100 VDC = 500 M Ω
Recommended Capacitors	1.8 to 19.99 MHz = 30 pF 20 to 25.99 MHz = 15 pF 26 to 50 MHz = 5 pF
Drive Level Max.	1000 μ W
Aging at 25 / ano	± 3.000 PPM



Dimensions in mm



Test Circuit

IC (MG,MT): 1/6TC4069UBP×2
 IC (MX): 1/6TC74HCU04×2
 VDD: +5V

Frequency (MHz)	Dimensions (max.)	
	W	H
1.79 ~ 6.00	10.0	8.0
6.01 ~ 13.00	10.0	10.0
12.00 ~ 13.00	10.0	12.0
13.01 ~ 60.00	10.0	10.0
3.00 ~ 8.00	9.0	5.5

