

Low Profile Crystals

Cardinal "AT-Strip" low profile crystals come in a variety of heights and specifications to accommodate all of our customers' requirements.

Series



**CLP
CLP3
CLP4
CLP5
CLP6**

Part Numbering Example: CLP X - A1 B2 C2 200 - 3.579545 D18 - 3

CLP	X	A1*	B2	C2	200	3.579545	D18	-3
SERIES	ADDED FEATURES	OPERATING TEMP.	STABILITY	TOLERANCE	RESISTANCE	FREQUENCY	LOAD CAP.	OVERTONE
CLP	F = FORMED LEADS	A0 = -10°C ~ +60°C	B1 = ±100	C1 = ±100	SEE CHART		D16, 18, 20, ETC.	BLANK: FUND.
CLP3	W = VINYL SLEEVING	A1 = -10°C ~ +70°C	B2 = ± 50	C2 = ± 50	BELOW		DS = SERIES	-3: 3rd OT
CLP4	X = INSULATOR PAD	A2 = -40°C ~ +85°C	B3 = ± 30	C3 = ± 30				-5: 5th OT
CLP5	Y = THIRD LEAD	A3 = -55°C ~ +125°C	B4 = ± 10	C4 = ± 10				-7: 7th OT
CLP6	Z = TAPE AND REEL							-BT: BT Cut
	BLANK = BULK PACK							

*NOTE: The above ABC combinations cover basic specification options. We tailor our crystal specifications to meet customer requirements. Please contact our sales department if you don't see exactly what you need.

Specifications:

Frequency Range:

3.579545 ~ 38.000 MHz	AT Cut Fundamental
25.000000 ~ 75.000 MHz	AT Cut 3rd Overtone
26.000000 ~ 42.000 MHz	BT Cut Fundamental

Operating Temperature:	-10°C ~ +70°C	Standard
	-40°C ~ +85°C	

Frequency Stability:	±100 ppm	
	± 50 ppm	Standard
	± 30 ppm	
	± 15 ppm	

Frequency Tolerance:	±100 ppm	
(at 25°C)	± 50 ppm	Standard
	± 30 ppm	
	± 10 ppm	

Load Capacitance: Standard 18 pF or series.
Please specify your required load.

Resistance: Maximum resistance corresponds to frequency.
See chart below.

Standard: Mode: Fundamental or 3rd Overtone
Shunt Capacitance: 7 pF Max
Aging: ± 5 ppm/year
Drive Level: 1.0 mW Max

Optional Features: Formed Leads
Vinyl Sleeves
Insulator Pads
Radial Tape and Reel

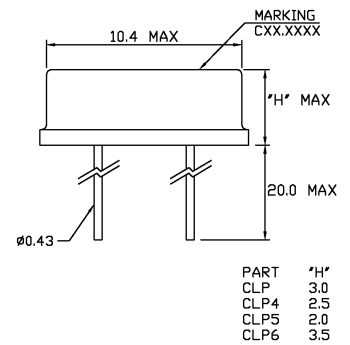
Note 1: Not all combinations of the above tolerances, stabilities, and temperature ranges are available. Consult the factory if your requirement is not standard.

Note 2: Heights of 3.5 mm (0.138) and 2.5 mm (0.098) are also available. Please consult factory if required.

Resistance Chart: All resistances are maximum values.

EQUIVALENT SERIES RESISTANCE (ESR), MODE OF OPERATION (MODE), AND CUT					
Frequency MHz	ESR(Ω)	Mode/cut	Frequency MHz	ESR (Ω)	Mode/cut
3.579545~4.999	200 Max	Fund./AT	15.000~15.999	60 Max	Fund./AT
5.000~5.999	150 Max	Fund./AT	16.000~23.999	50 Max	Fund./AT
6.000~7.999	120 Max	Fund./AT	24.000~30.000	40 Max	Fund./AT
8.000~8.999	90 Max	Fund./AT	24.000~48.000	40 Max	Fund./BT
9.000~9.999	80 Max	Fund./AT	24.576~29.999	150 Max	3rd Overtone/AT
10.000~14.999	70 Max	Fund./AT	30.000~75.000	100 Max	3rd Overtone/AT

CLP



CLP3

