

Surface Mount Clock Oscillator

Series CC065L

- 3.3 VDC Operation
- 1.7mm height
- TTL State Capable

Instrument Part Number: CC065L Z - A2 B2 45 - 33.333 TS

CC065L

SERIES
CC065L

Z

PACKAGING
Blank = Bulk Pack
Z = Tape and Reel

A2

OPERATING TEMP
Blank = 0°C ~ +70°C
A2 = -40°C ~ +85°C

B2

STABILITY
Blank = ±100 PPM
B2 = ±50 PPM

45

SYMMETRY
Blank = 40 / 60%
45 = 45 / 55%

33.333

FREQUENCY
0.0137 ~ 100.0 MHz

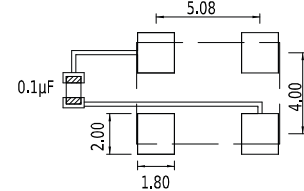
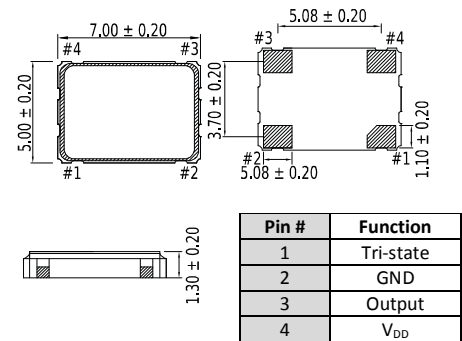
TS

TRI-STATE
TS = Tristate Standard

Specifications:

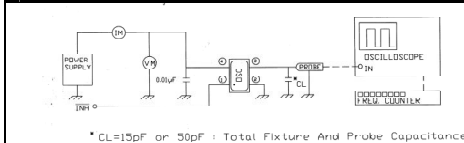
Description	Min	Typ	Max	Unit
Frequency Range:	13.7 KHz	-	166.00 MHz	
Available Stability Options: (Standard)	-100.0 -50.0	-	100.0 50.0	PPM PPM
Output Format	HCMOS			
Low Output Voltage:	-	-	0.33	V
High Output Voltage:	2.97	-	-	V
Output Load:	10 LS TTL, 15pf CMOS			
Input Voltage:	2.97	3.3	3.63	V
Input Current:	(1.84 ~ 31.999 MHz)	-	25	mA
	(32.0 ~ 80.0 MHz)	-	40	mA
Startup Time:	-	-	10	ms
Rise/Fall Time:	-	-	7	Ns
Duty Cycle:	40	-	60	%
	45	-	55	%
Tri-state Disable:	-	-	0.8	V
Tri-state Enable:	2.2	-	-	V
Storage Temperature Range:	-55	-	+125	°C
Operating Temperature Range: (Standard)	-10 -40	-	+70 +85	°C °C

PACKAGE OUTLINE



For optimal performance, place a by-pass capacity of 0.1µF as close to the part as possible between V_{DD} and GND pads

TEST CIRCUIT



OUTPUT WAVE FORM

