

Crystal Clock Oscillator

- Gull wings option
- Wide frequency range
- Tri-state option

Series C11

Instrument Part Number: C11 00 4 45 - A2 - 50.0 TS

C11

SERIES
C11

00

STABILITY
00 = ±100 PPM
50 = ± 50 PPM
25 = ± 25 PPM
10 = ± 10 PPM

4

PACKAGE
1 = Full Size
3 = Full Size, Gull Wing
4 = Half Size
6 = Half Size, Gull Wing

45

SYMMETRY
Blank = 40 / 60%
45 = 45 / 55%

A2

OPERATING TEMP
Blank = 0°C ~ +70°C
A2 = -40°C ~ +85°C

50.0

FREQUENCY
1.0 ~ 100.0 MHz

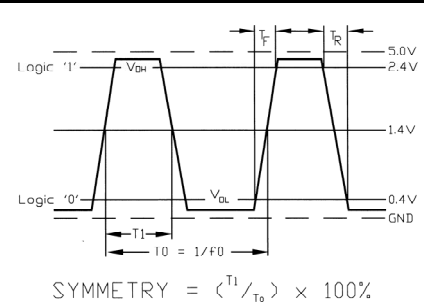
TS

TRI-STATE
Blank = No Connection
TS = Tristate Pin 1

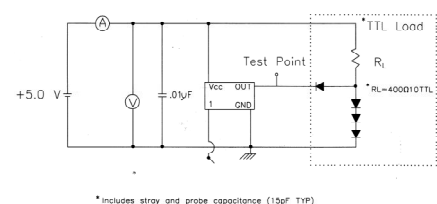
Specifications:

| Description | Min | Typ | Max | Unit |
|------------------------------|---|------------------|-------------------------------|--------------------------|
| Frequency Range: | 1.000 | - | 100.000 | MHz |
| Available Stability Options: | -100.0 -50.0 -25.0 -10.0 | - - - - | 100.0 50.0 25.0 10.0 | PPM PPM PPM PPM |
| Output Format | TTL | | | |
| Low Output Voltage: | (1.0 ~ 24.99 MHz) (25.0 ~ 100 MHz) | - - | 0.4 0.5 | V V |
| High Output Voltage: | 2.4 | - | - | V |
| Output Load: | 10 TTL | | | |
| Input Voltage: | 4.5 | 5.0 | 5.5 | V |
| Input Current: | (1.0 ~ 7.999 MHz) (8.0 ~ 24.99 MHz) (25.0 ~ 69.9 MHz) (70.0 ~ 100 MHz) | - - - - | 15 30 70 80 | mA mA mA mA |
| Rise/Fall Time: | (1.0 ~ 24.99 MHz) (25.0 ~ 69.99 MHz) (70.0 ~ 100.0 MHz) | - - - | 10 5 4 | ns ns ns |
| Startup Time: | (1.0 ~ 3.999 MHz) (4.0 ~ 7.999 MHz) (8.0 ~ 19.99 MHz) (20.0 ~ 100 MHz) | - - - - | 35 30 20 15 | Ms ms ms ms |
| Duty Cycle: | 40 45 | - - | 60 55 | % % |
| Tri-state Disable: | - | - | 0.4 | V |
| Tri-state Enable: | 2.4 | - | - | V |
| Storage Temperature Range: | -30 | - | +85 | °C |
| Operating Temperature Range: | -10 -40 | - - | +70 +85 | °C °C |

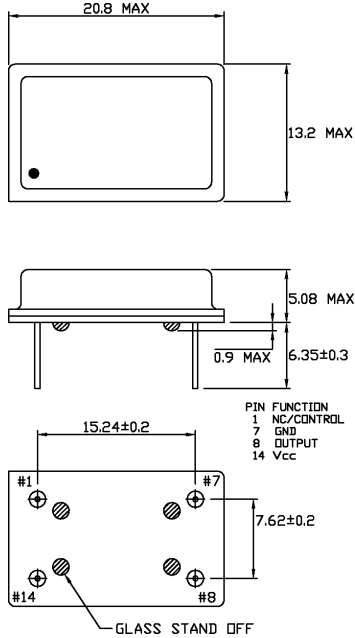
OUTPUT WAVE FORM



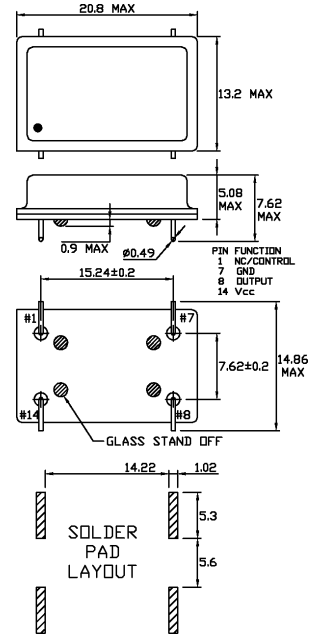
TEST CIRCUIT



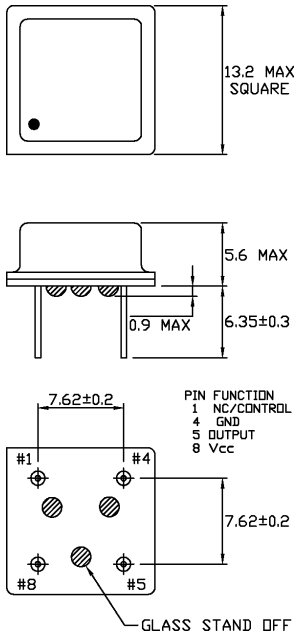
Style 1 Full Size 14 Pin Dip



Style 3 Full Size 14 Pin Dip Gull Wing



Style 4 Half Size 8 Pin Dip



Style 6 Half Size 8 Pin Dip Gull Wing

