

Ceramic Surface Mount

- Low maximum drive level
- Lower ESR than AT-Strip crystals
- Epoxy sealed

Series **CX47**



Part Numbering Example: CX47 Z - A1 B2 C2 45 - 14.0 D18 - 3

SERIES	ADDED FEATURES	OPERATING TEMP.	STABILITY	TOLERANCE	RESISTANCE	FREQUENCY	LOAD CAP.	OVERTONE
CX47	BLANK = BULK PACK Z = TAPE AND REEL	A0 = -10°C ~ +60°C A1 = -10°C ~ +70°C A2 = -40°C ~ +85°C A3 = -55°C ~ +125°C	B1 = ±100 B2 = ± 50 B3 = ± 30 B4 = ± 10	C1 = ±100 C2 = ± 50 C3 = ± 30 C4 = ± 10	SEE CHART BELOW	45 14.0	D16,18,20,ETC. DS = SERIES	BLANK: FUND. -3: 3rd OT -5: 5th OT -7: 7th OT -BT: BT Cut

**NOTE: The above ABC combinations cover basic specification options. We tailor our crystal specifications to meet customer requirements. Please contact our sales department if you don't see exactly what you need.*

Specifications:

Frequency Range:

9.000 ~ 40.320 MHz	AT-Cut Fundamental
40.000 ~ 90.000 MHz	3rd Overtone
90.000 ~ 150.000 MHz	5th Overtone

Operating Temperature:	0°C ~ +70°C	Standard
	-40°C ~ +85°C	

Frequency Stability:	± 100 ppm	BT-Cut
	± 50 ppm	Standard

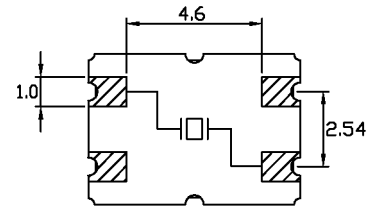
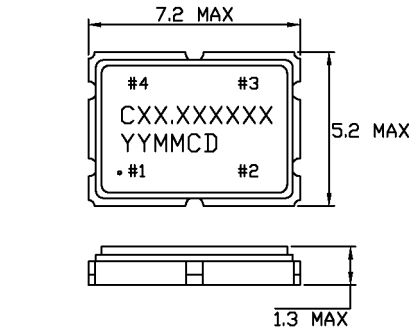
Frequency Tolerance:	± 50 ppm	Standard
	<i>(at 25°C)</i>	

Load Capacitance:	Parallel or series. Please specify your required load.	
--------------------------	---	--

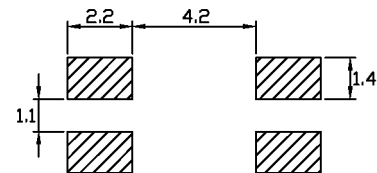
Resistance:	Maximum resistance corresponds to frequency. See chart below.	
--------------------	--	--

Standard:	Shunt Capacitance: 7 pF Max Aging: ± 5 ppm first year Drive Level: 100 µW Max Packaging: Tape and Reel (1K per Reel)	
------------------	---	--

CX47



RECOMMENDED SOLDER PAD LAYOUT



Resistance Chart: All resistances are maximum values.

EQUIVALENT SERIES RESISTANCE (ESR), MODE OF OPERATION (MODE), AND CUT					
Frequency MHz	ESR(Ω)	Mode/cut	Frequency MHz	ESR (Ω)	Mode/cut
9.500~10.999	60 Max	Fund./AT	40.000~49.999	80 Max	3rd Overtone/AT
11.000~13.999	50 Max	Fund./AT	50.000~89.999	50 Max	3rd Overtone/AT
14.000~15.999	40 Max	Fund./AT	90.000~150.000	100 Max	5th Overtone/AT
16.000~39.999	30 Max	Fund./AT			

